

# SEIFERT ERESCO 52 MFC3L



## Portable X-ray Unit, Panoramic Tube Head 300 kV, air cooled

### Overview

GE Inspection Technologies uses the number 52 to identify the superior penetration performance of its portable X-ray unit line. This means the ERESCO 52 MFC3L is capable of penetrating 52 mm (2.01") Fe with a 2.0 density after a ten-minute exposure using AGFA STRUCTURIX D7 film @ 700 mm (27.5") FFD.

The X-ray tube head consists of a sturdy metal-ceramic X-ray tube and high voltage generator integrated into a rugged compact housing. The air-cooled 300 kV / 600 W end-grounded X-ray tube is thermally protected for extended life.

The high voltage generator generates high-stability constant potential voltage at higher efficiency than conventional line frequency equipment.

The performance of the X-ray tube and the high voltage generator is continuously monitored for protection and operational safety. The flexible connecting cable is heavy-duty and light weight.

### Features

- Rugged construction
- Proven reliability
- End-grounded, metal-ceramic X-ray tube
- Large 38° x 360° emergent beam
- Modern power electronics provides high stability
- Gas insulated high voltage section reduces size & weight
- EMC - certified under EN 55011 / IEC 801 (electromagnetic compatibility)
- Produced under ISO 9001 certified quality management system

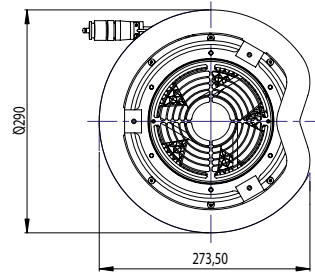
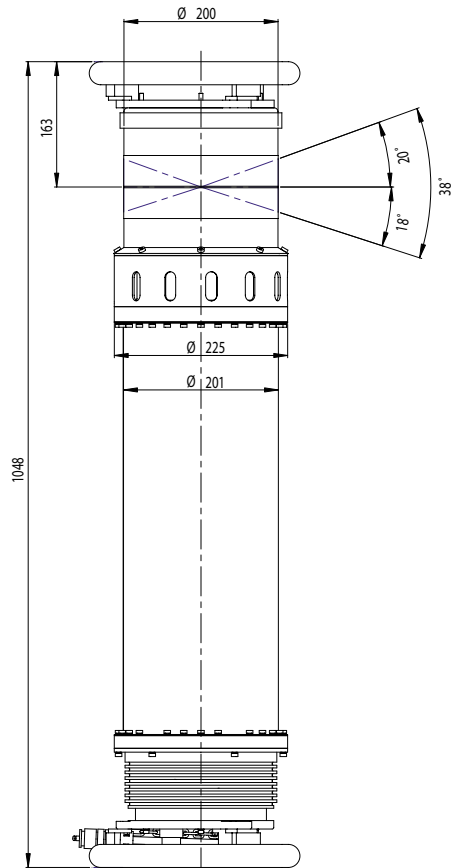
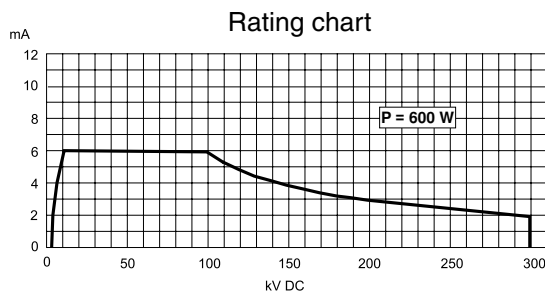
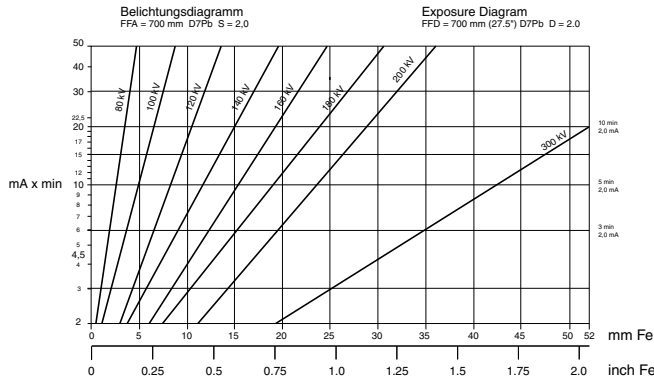
### Standard Delivery Scope of complete X-ray unit

See product information Digital Control "ERESCO MF3 control"

GE imagination at work



**ERESCO 52 MFC3L**



drawings not true to scale

**Technical Data**

X-ray tube type	300 kV metal-ceramic with Tungsten (W) anode
kV range	5 - 300 kV (acc. to rating chart)
Target angle	22°
Inherent filtration	0.4 mm Fe/Ni/Co + 3 mm Al
Emergent beam	38° x 360°
Focal spot size (EN 12 543)	0.5 x 5.5 mm
Tube current	0.5 - 6 mA (2.0 mA /300 kV)
Current and voltage stability *)	± 1%
Continuous rating	600 W
Duty cycle (ϑ <sub>amb</sub> = 30° C)	100%
Power input, max. *)	1.4 kVA
Weight of tube head	36 kg (79.34 lbs) 33,5 kg (73.83 lbs) (without carrying rings)
Protection class	IP65
Tube head diameter	290 mm (11.42") / 200 mm (7.87") (without carrying rings)

\*) connected to control

**Options**

- Diaphragm caps
- Fail-safe flashing warning lamps
- Stands and mounting kits
- Aluminium transport box
- Laser centering devices