

SEIFERT ERESKO 200 MFR3.1



Directional Radiating Tube Head, air cooled

Overview

The X-ray tube head consists of a sturdy metal-ceramic X-ray tube and high voltage generator integrated into a rugged compact housing. The air-cooled 200 kV / 600 W end-grounded X-ray tube is thermally protected for extended life.

The high voltage generator produces high-stability direct voltage at higher efficiency than conventional line frequency equipment.

The performance of the X-ray tube and the high voltage generator is continuously monitored for protection and operational safety.

The flexible connecting cable is heavy-duty and light weight.

Features

- Rugged construction
- Proven reliability
- End-grounded, Be-window, metal-ceramic X-ray tube
- Large 40° x 60° emergent beam
- Modern power electronics provides high stability
- Gas insulated high voltage section reduces size & weight
- EMC - certified under EN 55011 / IEC 801 (electromagnetic compatibility)
- Design approval in compliance with DIN 54113
- Produced under ISO 9001 certified quality management system

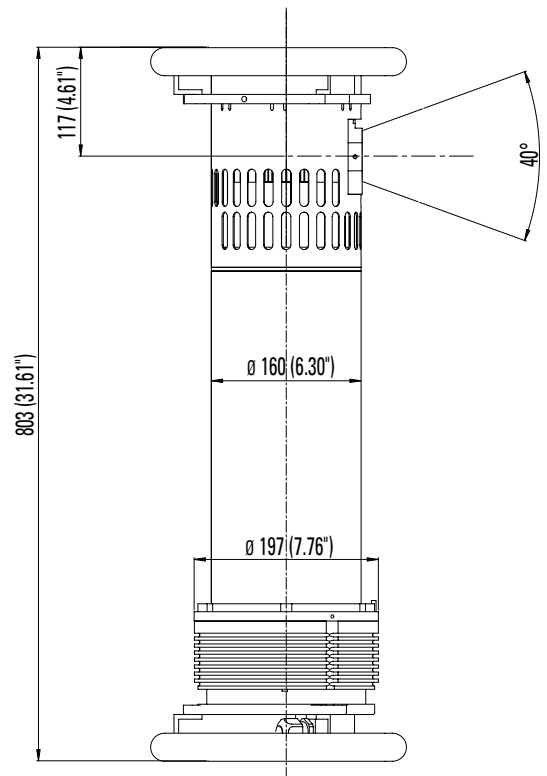
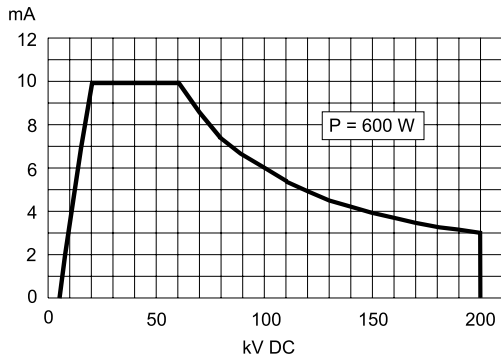
Standard Delivery Scope of complete X-ray unit

see product information Digital Control "ERESKO control"

GE imagination at work



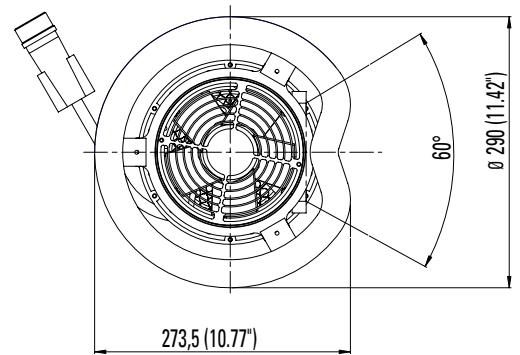
Rating chart



Technical Data

Metal-ceramic X-ray tube

| | |
|-------------------------------|------------------------------|
| Nominal voltage | 200 kV |
| Tube current | 0.5 - 10 mA (3.0 mA /200 kV) |
| Continuous rating | 600 W |
| Focal spot size (EN 12 543) | 1.0 mm (~0.5 IEC 336) |
| Anode material | Tungsten (W) |
| Anode temperature, max. | 100° C |
| Target angle | 20° (mech.) |
| Emergent beam | 40° x 60° |
| Inherent filtration | 0.8 mm ±0.1 mm, Be |
| Current and voltage stability | ± 1% |
| Power input, max. | 1.0 kVA |
| Weight of tube head | 26.8 kg (59.1 lbs) |
| Protection class | IP 65 |



drawings not true to scale

Options

- Diaphragm / collimator attachments
- Pointer and laser centering devices
- Fail-safe flashing warning lamps
- Stands and mounting kits
- Aluminium transport box